

LISA miniature lens for Osram Dragon LEDs

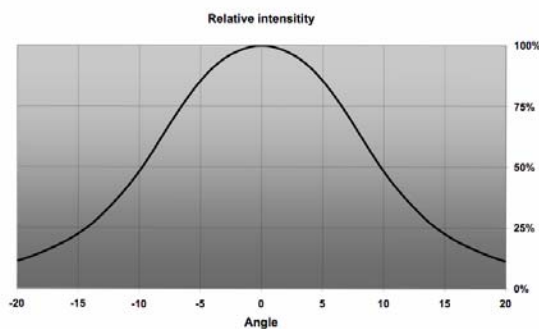


- Lens material optical grade PMMA with high UV and temperature resistance (105°C/220°F). Lens holder molded of high quality white ABS.
- High optical efficiency, >80%
- Attaching of the lens holder directly on the Dragon package by snap fits. For detailed mounting information, please look at the drawing and the photographs
- Very small and compact dimensions: Diameter 10.5 mm, height 7 mm

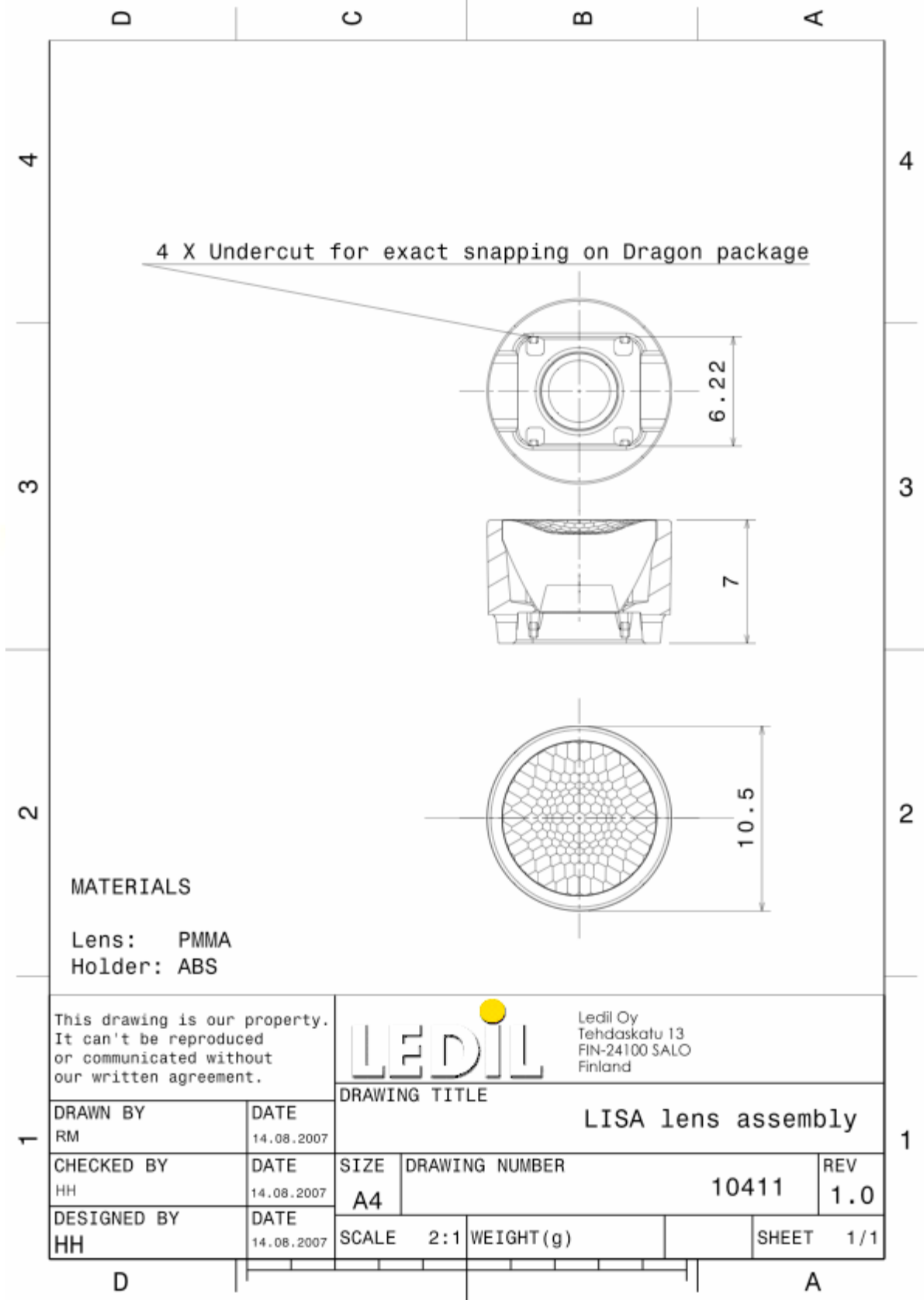
LENS TYPES

NAME	ORDERING CODE	FWHM Angle
LISA medium	LISA-M	±10°

MEASUREMENT DATA & PHOTOGRAPHS



DIMENSIONS & PCB LAYOUT



© Ledil Oy – PRELIMINARY - Subject to change without prior notice