

COINlight SIDELED

LED Modules



OSRAM's NEW COINlights offer a coin shaped solution for compact lighting.

Light Emitting Diodes (LEDs) offer substantially lower energy consumption than traditional incandescent lamps. These modules can be used wherever temperature or space limitations prevent the use of conventional means of illumination.

The LED's on these COINlights illuminate outwards making them a circular, radiant module. They are ideal for in-ground or flush mounted luminaires, capstan luminaires, machine luminaires, warning luminaires, and even small signals.

- Long life: Up to 100,000 hours
- OSRAM Hyper SIDELED® allows high luminous flux
- ± 60° viewing angle per LED
- Entire Module consists of 8 or 12 LEDs
- Small height allows installation where space is limited
- Size of printed circuit board: Ø 33 mm
- Screw connector terminals
- Available in various colors: red (amber), true green, blue, yellow and white
- Optimal operation with OPTOTRONIC OT 12/230-240/10V or OT 06/100-240/10V

Product Availability

Product	Color
COIN/615/OS/CM01B/A	Red (Amber)
COIN/587/OS/CM01B/Y	Yellow
COIN/525/OS/CM01B/T	True Green
COIN/470/OS/CM01B/B	Blue
COIN/OS/CM01B/W	White
COIN/615/OS/CM01C/A	Red (Amber)
COIN/587/OS/CM01C/Y	Yellow
COIN/525/OS/CM01C/T	True Green
COIN/470/OS/CM01C/B	Blue
COIN/OS/CM01C/W	White

Ordering and Specification Information

Item Number	Ordering Abbreviation	Watts	Volts	Current (Amps)	Viewing Angle	Color	Number LEDs	Wave Length (nm)	Lum. Intensity per LED (mcd)	Lum. Flux per LED (lm)
70046	COIN/615/OS/CM01B/A	0.5	10dc	0.02	120	Red (Amber)	8	615	135	390
70047	COIN/587/OS/CM01B/Y	0.5	10dc	0.02	120	Yellow	8	587	105	310
70048	COIN/525/OS/CM01B/T	0.9	10dc	0.04	120	True Green	8	525	135	390
70049	COIN/470/OS/CM01B/B	0.9	10dc	0.04	120	Blue	8	470	40	115
70050	COIN/OS/CM01B/W	0.9	10dc	0.04	120	White	8	x = 0.32; y=0.31	195	570
70052	COIN/615/OS/CM01C/A	1.5	10dc	0.06	120	Red (Amber)	12	615	135	390
70051	COIN/587/OS/CM01C/Y	1.5	10dc	0.06	120	Yellow	12	587	105	310
70053	COIN/525/OS/CM01C/T	1.3	10dc	0.055	120	True Green	12	525	135	390
70054	COIN/470/OS/CM01C/B	1.3	10dc	0.055	120	Blue	12	470	40	115
70055	COIN/OS/CM01C/W	1.3	10dc	0.055	120	White	12	x = 0.32; y=0.31	195	570

Application Information

Applications

Path marking
 Exit path marking
 In-ground mounted luminaires
 Machine luminaires
 Warning & Capstan luminaires
 Small signals

Application Notes

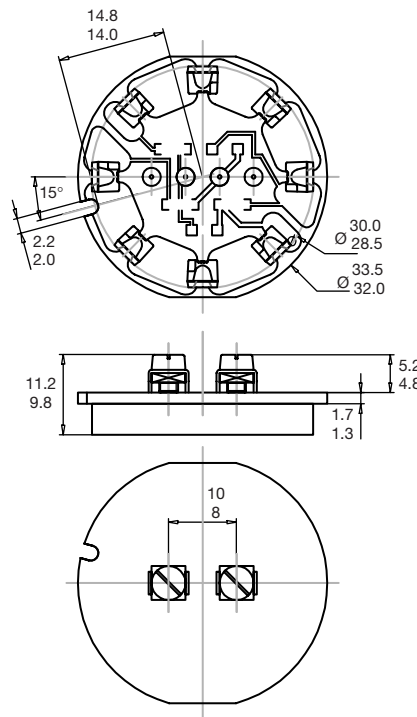
1. Small dimensions
2. Shock resistance
3. High color efficiency
4. Directional radiation characteristics
5. No UV or IR radiation
6. Power supplies for operation (contact us for availability)



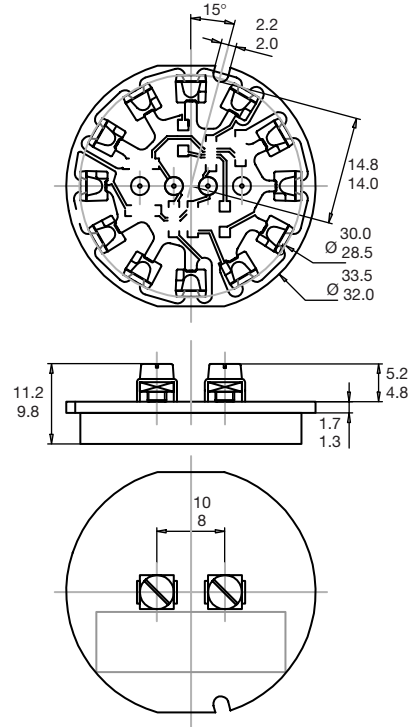
Maximum Ratings

Parameter	Symbol	Values	Units
Operating Temperature	T_{op}	-30... ±65	°C
Storage Temperature Range	T_{stg}	-30... ±65	°C
Maximum Voltage	V_{max}	22 - 25	V_{dc}
Reverse Voltage	V_R	25	V_{dc}

Dimensions



COINlight with 8 LEDs



COINlight with 12 LEDs

Dimensions on diagrams in mm.

OSRAM SYLVANIA
National Customer
Support Center
18725 N. Union Street
Westfield, IN 46074

Industrial & Commercial

Phone: 1-800-255-5042
Fax: 1-800-255-5043

National Accounts

Phone: 1-800-562-4671
Fax: 1-800-562-4674

OEM & Special Markets

Phone: 1-800-762-7191
Fax: 1-800-762-7192

Photo-Optic

Phone: 1-888-677-2627
Fax: 1-800-762-7192

In Canada
OSRAM SYLVANIA LTD.
Headquarters
2001 Drew Road
Mississauga, ON L5S 1S4

Industrial & Commercial

Phone: 1-800-263-2852
Fax: 1-800-667-6772

Special Markets

Phone: 1-800-265-2852
Fax: 1-800-667-6772

Visit our website: www.sylvania.com

	Diameter (mm)	Width (mm)		Diameter (mm)	Width (mm)
Entire PCB	33	5.5	Entire PCB	33	5.5
LED Grid	29	4.0	LED Grid	29	4.0

Ordering Guide

CM	/	615	/	OS	/	CM01B	/	A
COIN Module		Wavelength 615nm		Opto Semiconductor		ID No.		Color Code A = Red (Amber)

SIDELED is a registered trademark of Siemens Aktiengesellschaft Corporation.
SYLVANIA and ECOLOGIC are registered trademarks of OSRAM SYLVANIA, Inc.

Specifications subject to change without notice.