

# COINlight TOPLED

## LED Modules



- Long life: Up to 100,000 hours
- OSRAM Power TOPLED® allows high luminous flux
- ± 60° viewing angle per LED
- Entire Module consists of 9 LEDs
- Small height allows installation where space is limited
- Size of printed circuit board: Ø 33 mm
- Screw terminal connectors
- Available in various colors: red (amber), true green, blue, yellow and white
- Optimal operation with OPTOTRONIC OT 20/230-240/24V or OT 06/100-240/24V

**OSRAM's NEW COINlights offer a coin shaped solution for compact lighting.**

Light Emitting Diodes (LEDs) offer substantially lower energy consumption than traditional incandescent lamps. These modules can be used wherever temperature or space limitations prevent the use of conventional means of illumination.

COINlights are ideal for machine luminaires and path and exit path marking. COINlights are being used as wall and in-ground flush mounted light sources. They are designed for an operating voltage of 24 volts and are available in various colors.

### Ordering and Specification Information

Item Number	Ordering Abbreviation	Watts	Volts	Current (Amps)	Viewing Angle	Color	Number LEDs	Wave Length (nm)	Lum. Intensity per LED (mcd)	Lum. Flux per LED (lm)
70057	COIN/617/OS/CM01E/A	1.0	24dc	0.04	120	Red (Amber)	9	617	425	1240
70058	COIN/587/OS/CM01E/Y	1.0	24dc	0.04	120	Yellow	9	587	280	825
70059	COIN/525/OS/CM01E/T	1.2	24dc	0.05	120	True Green	9	525	165	475
70060	COIN/470/OS/CM01E/B	1.2	24dc	0.05	120	Blue	9	470	35	100
70056	COIN/OS/CM01E/W	1.2	24dc	0.05	120	White	9	x = 0.32; y=0.31	205	595

### Application Information

#### Applications

Path marking  
Exit path marking  
In-ground mounted luminaires  
Wall mounted luminaires  
Small signals

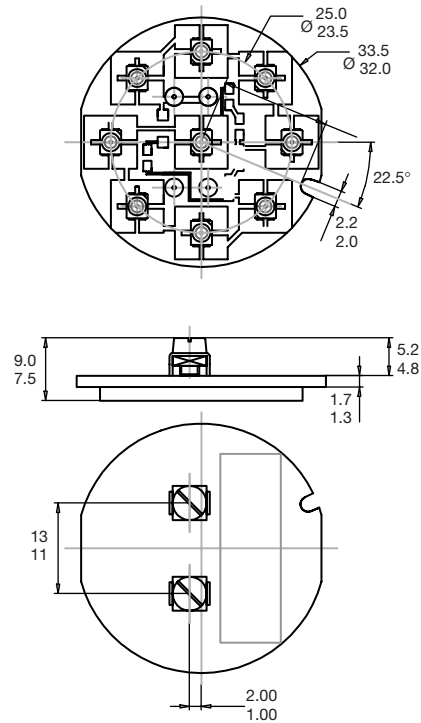
#### Application Notes

1. Small dimensions
2. Shock resistance
3. High color efficiency
4. Directional radiation characteristics
5. No UV or IR radiation
6. Power supplies for operation (contact us for availability)

## Maximum Ratings

Parameter	Symbol	Values	Units
Operating Temperature	$T_{op}$	-30... ±55	°C
Storage Temperature Range	$T_{stg}$	-30... ±85	°C
Maximum Voltage	$V_{max}$	25	$V_{dc}$
Reverse Voltage	$V_R$	25	$V_{dc}$

## Dimensions



### COINlight with 9 LEDs

Dimensions on diagrams in mm.

OSRAM SYLVANIA  
National Customer  
Support Center  
18725 N. Union Street  
Westfield, IN 46074

#### Industrial & Commercial

Phone: 1-800-255-5042  
Fax: 1-800-255-5043

#### National Accounts

Phone: 1-800-562-4671  
Fax: 1-800-562-4674

#### OEM & Special Markets

Phone: 1-800-762-7191  
Fax: 1-800-762-7192

#### Photo-Optic

Phone: 1-888-677-2627  
Fax: 1-800-762-7192

In Canada  
OSRAM SYLVANIA LTD.  
Headquarters  
2001 Drew Road  
Mississauga, ON L5S 1S4

#### Industrial & Commercial

Phone: 1-800-263-2852  
Fax: 1-800-667-6772

#### Special Markets

Phone: 1-800-265-2852  
Fax: 1-800-667-6772

	Diameter (mm)	Width (mm)
Entire PCB	33	3.5
LED Grid	24	1.9

## Ordering Guide

CM	/	617	/	OS	/	CM01E	/	A
COIN Module		Wavelength 617nm		Opto Semiconductor		ID No.		Color Code A = Red (Amber)