

EFFECTlight

LED Modules



- Long life: up to 100,000 hours
- 5 x 2-Array
- Light Distribution 4° viewing angle
- Entire module consists of 10 LEDs
- PMMA-Lenses, PC-Carrier, FR4-PCB
- Operating voltage of 24 Volt and are available in amber, yellow, verde and blue.
- Visibility up to a mile

OSRAM's NEW EFFECTlight LED modules for Effect Lighting provide new accents in architecture.

Light Emitting Diodes (LEDs) offer substantially better energy consumption than traditional incandescent lamps. These modules can be used wherever temperature or space limitations prevent the use of conventional means of illumination.

EFFECTlights bring color to gray facades, columns can be highlighted and strong signal effects can be achieved.

Product Availability

Product	Color
FXLITE/615/OSWL01A/A	Amber/Red
FXLITE/587/OSWL01A/Y	Yellow
FXLITE/505/OSWL01A/V	Verde
FXLITE/470/OSWL01A/B	Blue

Ordering and Specification Information

Item Number	Ordering Abbreviation	Watts	Volts	Current (mA)	Viewing Angle	Color	Number LEDs	Typical Wave Length	Luminous Intensity (mcd)
70015	FXLITE/615/OSWL01A/A	1.2	24 _{dc}	50	4	Amber/Red	10	615	750
70016	FXLITE/587/OSWL01A/Y	0.96	24 _{dc}	40	4	Yellow	10	587	750
70017	FXLITE/505/OSWL01A/V	1.2	24 _{dc}	50	4	Verde	10	505	750
70018	FXLITE/470/OSWL01A/B	1.2	24 _{dc}	50	4	Blue	10	470	500

Application Information

Applications

- Effect lighting in and on buildings
- Furniture lighting, e.g. glass cupboards
- Signals without security requirements
- Easily combinable with supplementary optics
- Wall washing
- Architectural feature lighting

Application Notes

1. Small dimensions
2. Shock resistance
3. High color efficiency
4. Directional radiation characteristics
5. No IR/UV radiation
6. Power supplies for operation (contact us for availability)

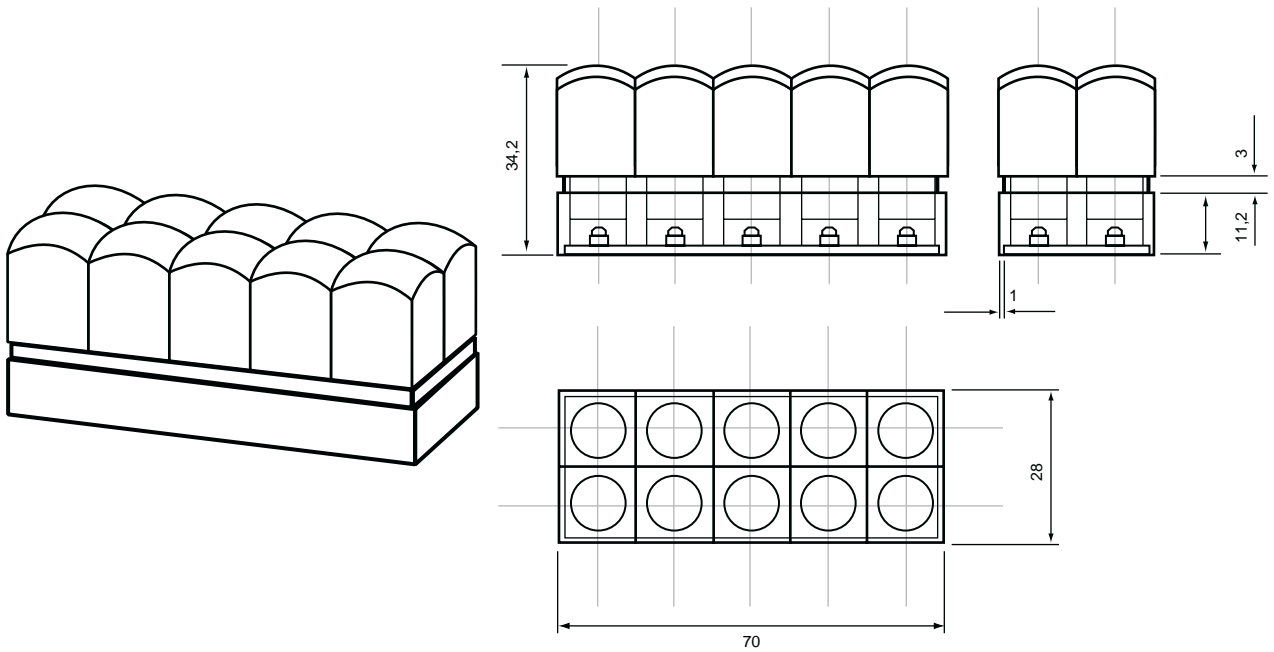


Maximum Ratings

Parameter	Symbol	Values	Units
Operating Temperature	T_{op}	-30... +65	C
Storage Temperature Range	T_{stg}	-30... +65	C
Maximum Voltage	V_{max}	25	V_{dc}
Reverse Voltage	V_R	25	V_{dc}

Dimensions

	Length mm (in)	Width mm (in)	Height mm (in)
Entire PCB	70 (2.76)	25 (0.98)	34.2 (1.35)
LED Grid	1		11.2 (0.44)



Dimensions on diagrams in mm.

OSRAM SYLVANIA
National Customer
Support Center
18725 N. Union Street
Westfield, IN 46074

Industrial & Commercial

Phone: 1-800-255-5042
Fax: 1-800-255-5043

National Accounts

Phone: 1-800-562-4671
Fax: 1-800-562-4674

OEM & Special Markets

Phone: 1-800-762-7191
Fax: 1-800-762-7192

Photo-Optic

Phone: 1-888-677-2627
Fax: 1-800-762-7192

In Canada
OSRAM SYLVANIA LTD.
Headquarters
2001 Drew Road
Mississauga, ON L5S 1S4

Industrial & Commercial

Phone: 1-800-263-2852
Fax: 1-800-667-6772

Special Markets

Phone: 1-800-265-2852
Fax: 1-800-667-6772

Ordering Guide

FXLITE	/	470	/	OS	/	WL01A	/	B
Effect Light		Wavelength 470 nm		Opto Semiconductor		ID No.		Color Code B = Blue